

COLONY™ 5-1/2' x 32" WHIRLPOOL AND BATHING POOL with INTEGRAL APRON

- 1748.218 Whirlpool featuring System I, Left Hand Outlet**
- 1748.118 Whirlpool featuring System I, Right Hand Outlet**

- Acrylic with fiberglass reinforcement
- Integral apron with removable access panel
- Integral 3-sided tile/water retention flange
- Molded-in back rest
- Dual, molded in arm rests
- 1.25 HP single speed, self-draining pump/motor
- Factory installed power cord with plug
- Six multi-directional and flow-adjustable jets
- Deck-mounted air switch On/Off
- Two air volume controls
- Factory installed and tested whirlpool system

EverClean® Whirlpool featuring System I

- 1748.218C Whirlpool featuring System I, Left Hand Outlet**
- 1748.118C Whirlpool featuring System I, Right Hand Outlet**
 - Same as above except with the EverClean System

- 1748.202 Bathing pool only, Left Hand Outlet**
- 1748.102 Bathing pool only, Right Hand Outlet**

Nominal Dimensions:

1676 x 813 x 495mm
(66" x 32" x 19-1/2")

Compliance Certifications -

Meets or Exceeds the Following Specifications:

- Underwriters Laboratories - Hydromassage Bathtubs UL 1795
- ASME A112.19.7M for Whirlpool Appliances
- ANSI Z124.1 for Plastic Bathtubs
- ASTM E162 for Flammability
- NFPA 258 for Smoke Density

American Standard whirlpools and air baths with EverClean® incorporate a patented silver-ion additive right into the circulation piping to protect the pipes from mold, mildew, algae and fungus that could cause deterioration or staining of the pipes.

SEE REVERSE FOR PRODUCT DIMENSIONS AND SPECIFICATIONS



To Be Specified - Required:

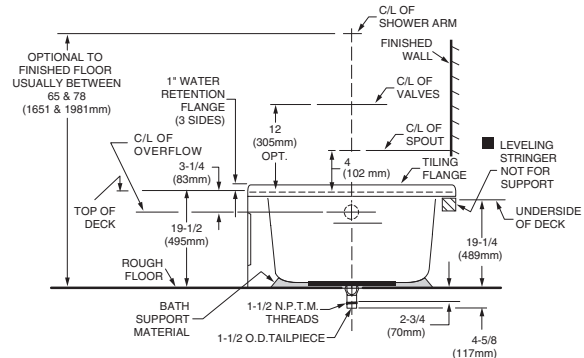
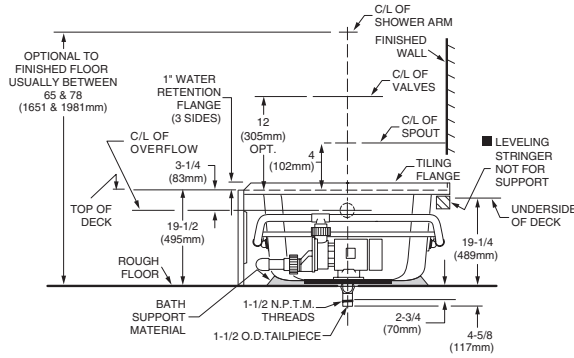
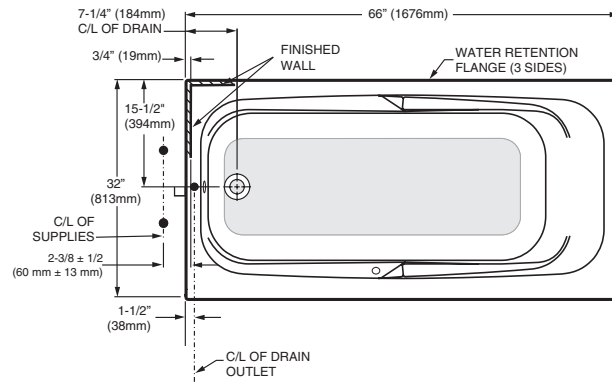
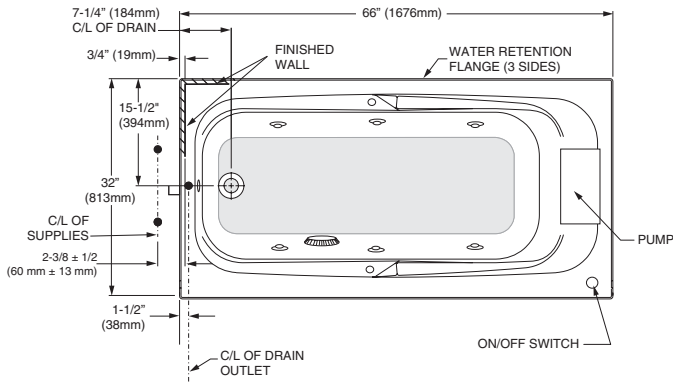
- Color:
- Bath Faucet: (specify finish)
- Bath Drain: 1583.470 (specify finish)

To Be Specified - Optional:

- Jet Trim Ring Kit: 9860.200-two per kit (specify finish) for Body Massage Jets only

For color/finish availability and other faucet choices, please see the Product Selector and Pricing Guide.

**COLONY™ 5-1/2' x 32" w/INTEGRAL APRON
WHIRLPOOL AND BATHING POOL
HIGH GLOSS**



GENERAL SPECIFICATIONS FOR 1748 WHIRLPOOL

INSTALLED SIZE	66 x 32 x 19-1/2 In. (1676 x 813 x 495mm)
WEIGHT	120 Lbs. (54 Kg.)
WEIGHT w/WATER	537 Lbs. (244 Kg.)
GAL. TO OVERFLOW	50 Gal. (189 L.)
WHIRLPOOL MIN. OPERATING VOL.	46 Gal. (174 L.)
BATHING WELL AT SUMP	18 x 48 In. (457 x 1219mm)
BATHING WELL AT RIM	26 x 59 In. (660 x 1499mm)
WATER DEPTH TO OVERFLOW	12-1/2 In. (318 mm)
FLOOR LOADING (PROJECTED AREA)	37 Lbs./Sq. Ft. (179 Kgs/Sq. m.)
PTS.	20.8
CUBE (FT ³)	35.3

WHIRLPOOL ELECTRICAL SPECIFICATIONS

SYSTEM I PUMP	1.25 HP, 9.9 AMPS, 120V.
---------------	--------------------------

GENERAL SPECIFICATIONS FOR 1748 BATHING POOL

INSTALLED SIZE	66 x 32 x 19-1/2 In. (1676 x 813 x 495mm)
WEIGHT	100 Lbs. (45 Kg.)
WEIGHT w/WATER	517 Lbs. (235 Kg.)
GAL. TO OVERFLOW	50 Gal. (189 L.)
BATHING WELL AT SUMP	18 x 48 In. (457 x 1219mm)
BATHING WELL AT RIM	26 X 59 In. (660 x 1499mm)
WATER DEPTH TO OVERFLOW	12-1/2 In. (318mm)
FLOOR LOADING (PROJECTED AREA)	35 Lbs./Sq.Ft. (173 Kgs./Sq.m.)
PTS.	25.6
CUBE (FT ³)	29.7

NOTES:

BATH TO BE INSTALLED ABOVE FLOOR LINE AS A RECESS INSTALLATION. SUPPORT OF BATH BY SUMP BEDDING. SUPPORT AND ENCLOSING MATERIAL BY OTHERS.

■ REFER TO INSTALLATION INSTRUCTIONS SUPPLIED WITH WHIRLPOOL FOR ADDITIONAL INFORMATION.

LEFT HAND OUTLET SHOWN, RIGHT HAND REVERSE DIMENSIONS.

FITTINGS NOT INCLUDED AND MUST BE ORDERED SEPARATELY.

PROVIDE SUITABLE REINFORCEMENT FOR ALL SUPPORTS.

IMPORTANT: Dimensions of fixtures are nominal and may vary within the range of tolerances established by ANSI Standards Z124.1 and A112.19.7. These measurements are subject to change or cancellation. No responsibility is assumed for use of superseded or voided pages.